



# DC4600 Series

Non Handed Door Closer

## Installation Instructions

80-9340-1010-152 (11-06)

## Non Hold Open Models

Sized  
(\*Sizes 2,3,4,5)

Weaker

DC460\*  
DC461\*  
DC462\*



**CAUTION** An Incorrectly installed or improperly adjusted door closer can cause property damage or personal injury. These installation instructions should be followed to avoid the possibility of misapplication or misadjustment. **CAUTION**

**NOTE:** For special applications a separate door and frame preparation template is packed with these instructions. Use this instruction sheet for installation sequence and closer adjustments only.

- Doors should be hung on ball bearing or anti-friction hinges.
- A separate door stop is recommended.
- Door and frame must be properly reinforced.
- Adjust closing time speed between 3 and 7

**Regular Arm Installation**  
See Page 2  
**DC4600**

Right Hand Door - RLH  
Left Hand Reverse - LHR

---

**Top Jamb Installation**  
See Page 5  
**DC4620**

Left Hand Door - LH  
Right Hand Reverse - RHR

---

**Parallel Arm Installation**  
See Pages 3 & 4  
**DC4610**

Left Hand Door - LH  
Right Hand Reverse - RHR

**Regular Arm Installation**  
See Page 2  
**DC4600**

Left Hand Door - LH  
Right Hand Reverse - RHR

---

**Top Jamb Installation**  
See Page 5  
**DC4620**

Right Hand Door - RH  
Left Hand Reverse - LHR

---

**Parallel Arm Installation**  
See Pages 3 & 4  
**DC4610**

Right Hand Door - RH  
Left Hand Reverse - LHR

- These door closers should NOT be installed on the exposed side (weather side) of exterior doors.

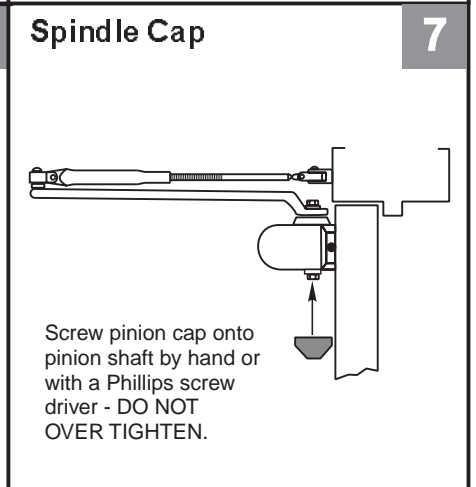
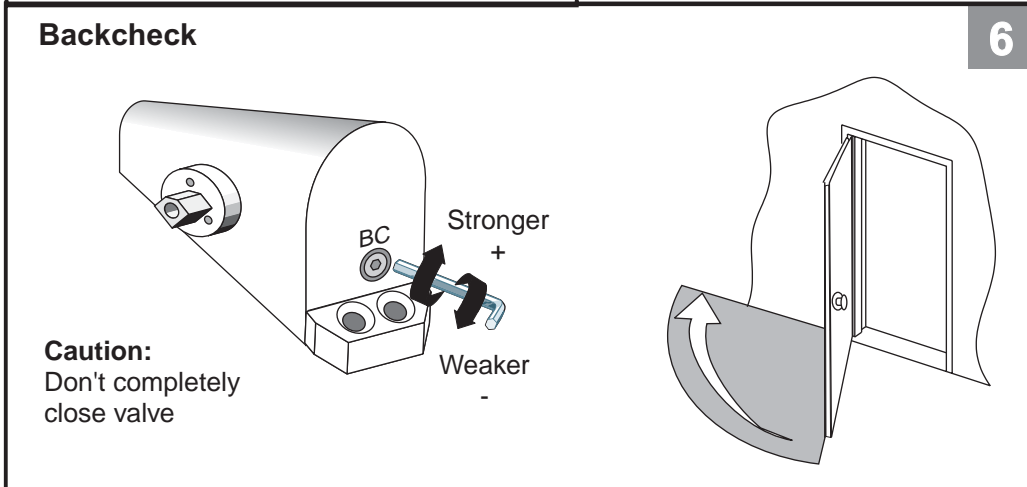
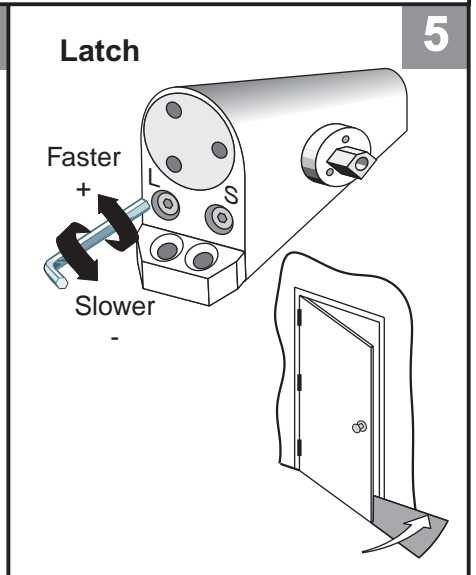
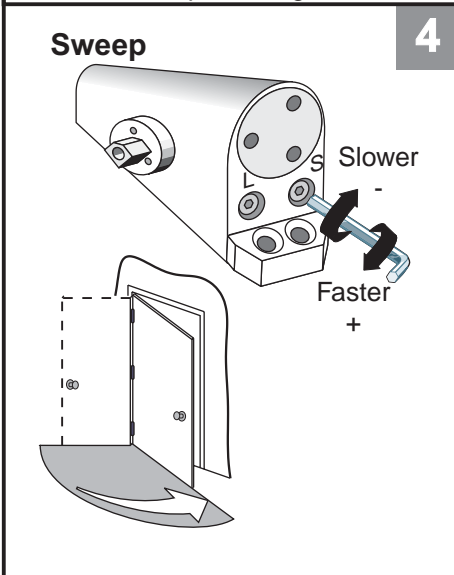
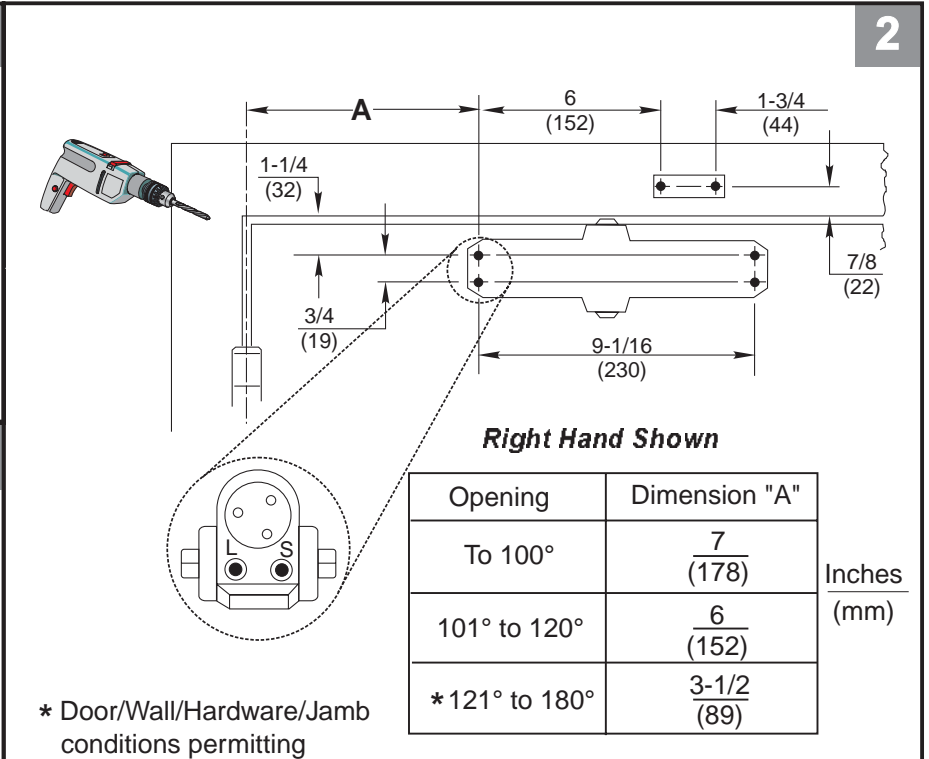
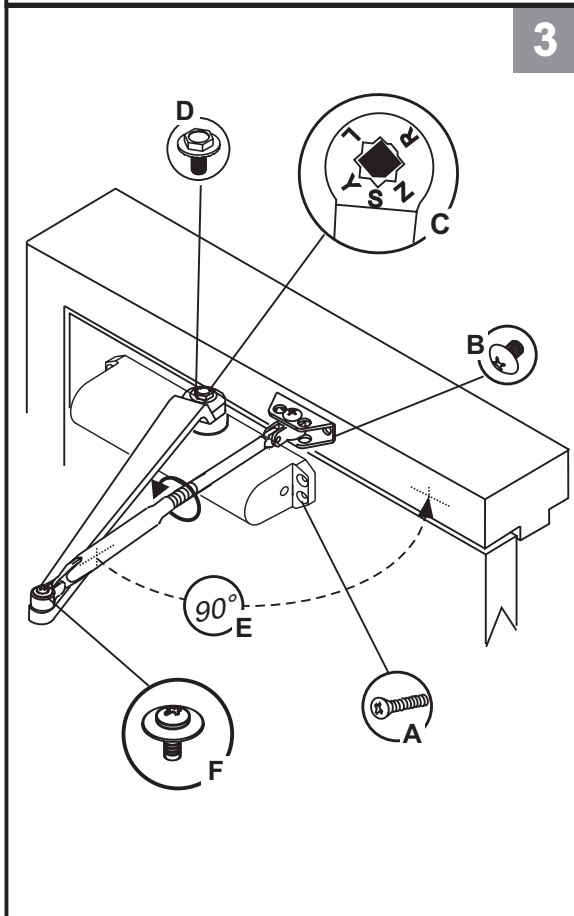
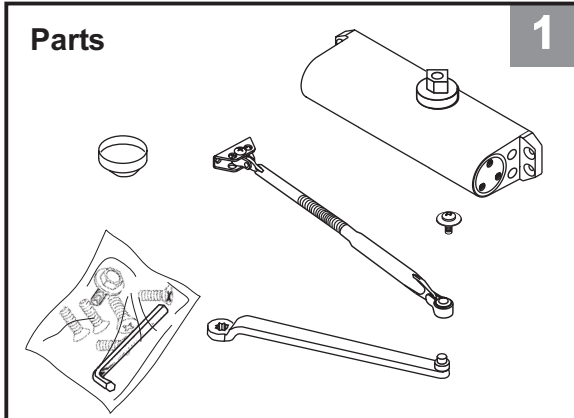
	<p>#7</p>	<p>3/16"</p>	<p><b>Self Drilling Screws</b> Wood and Metal</p> <p>For Wood drill 3/16 hole</p>	<p><b>(Optional)</b> <b>Sleeve Nut and Bolt</b></p> <p>Drill 9/32 thru from Closer Side 3/8 Drill other side</p> <p><b>Thru Bolt and Grommet Nut</b></p> <p>Drill 9/32 thru from Closer Side 3/8 Drill other Side</p>
	<p><b>Metal</b> 1/4-20</p>	<p><b>Wood</b></p>	<p><b>Machine Screws</b></p> <p>#7 Drill, 1/4-20 Tap</p>	

<p><b>Standard Components</b></p> <p>Spindle Cap Closer Size Stamp "L" Valve "S" Valve</p>	<p><b>Arm Assembly</b></p> <p>Connecting Rod Main Arm Adjusting Tube Elbow Screw</p> <p><b>Soffit Plate</b></p> <p>483F44 Soffit Plate Used with Parallel Arm Closers Only</p>
	<p><b>Optional Components</b></p> <p>446F10 Plate</p>

# DC4600 Series

## Non Hold Open Door Closers — Regular Arm

80-9340-1010-152 (11-06)



# DC4610 Series

## Non Hold Open Door Closers — Parallel Arm

80-9340-1010-152 (11-06)

### Parts

Optional  
446F10  
plate

Door Opening	A	B	C
To 100°	9-1/4 (235)	7-5/8 (194)	8-5/8 (219)
101° to 130°	7-3/4 (197)	6-1/8 (156)	7-1/8 (181)
*131° to 180°	5-3/4 (146)	4-1/8 (105)	5-1/8 (130)

\* Door/Wall/Hardware/Jamb conditions permitting

### 2

Right Hand Shown

Inches (mm)

2-3/4 (70)

3/8 (10)

A

2 (50)

7/16 (11)

1/2 (13)

7 (178)

4 (102)

1-1/2 (38)

C

Top of Door

2-1/8 (54)

1/2 (13)

Frame

3-1/4 (83)

3/4 (19)

9-1/16 (230)

Holes for 446F10 Plate only

### 3

### Close Valves

Latch

Sweep

Slower

Slower

### 4

### 5

Place Arm on Spindle

Rotate

Remove Arm from Spindle

See Step 6 on Page 4

# DC4610 Series

## Non Hold Open Door Closers — Parallel Arm

80-9340-1010-152 (11-06)

6

**Right Hand Door**  
or  
**Left Hand Door**

Flat

B

7

**Open Valves**

Caution:  
Do Not  
Back  
Valves Out  
Completely

8

**Assemble Arm**

9

**Arm Screw**

1-1/2  
(38)

10

**Sweep**

Slower  
-  
Faster  
+

11

**Latch**

Faster  
+  
Slower  
-

12

**Backcheck**

Stronger  
+  
Weaker  
-

Caution:  
Don't completely  
close valve

13

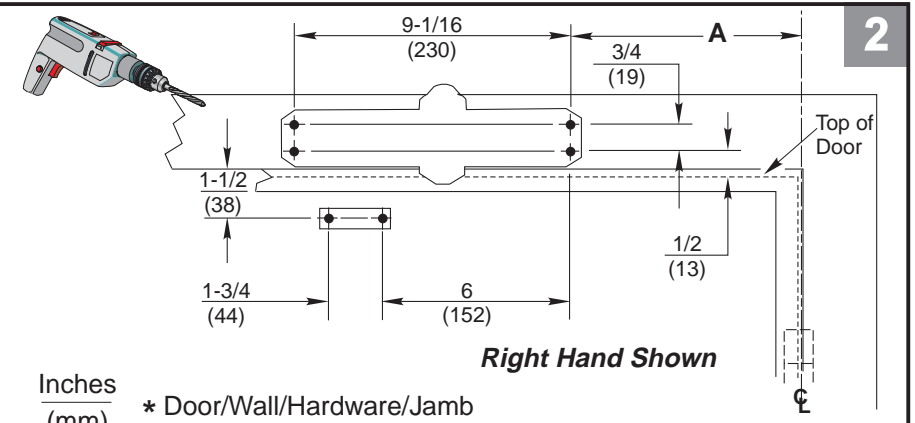
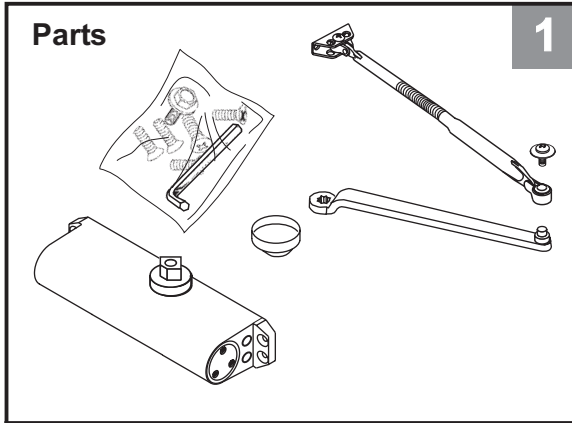
**Spindle Cap**

Screw pinion cap onto  
pinion shaft by hand or  
with a Phillips screw  
driver - DO NOT  
OVER TIGHTEN.

# DC4620

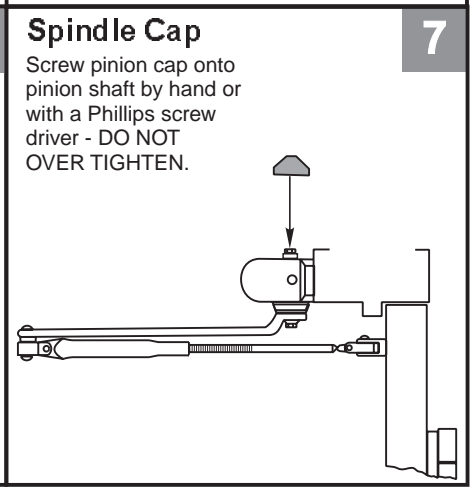
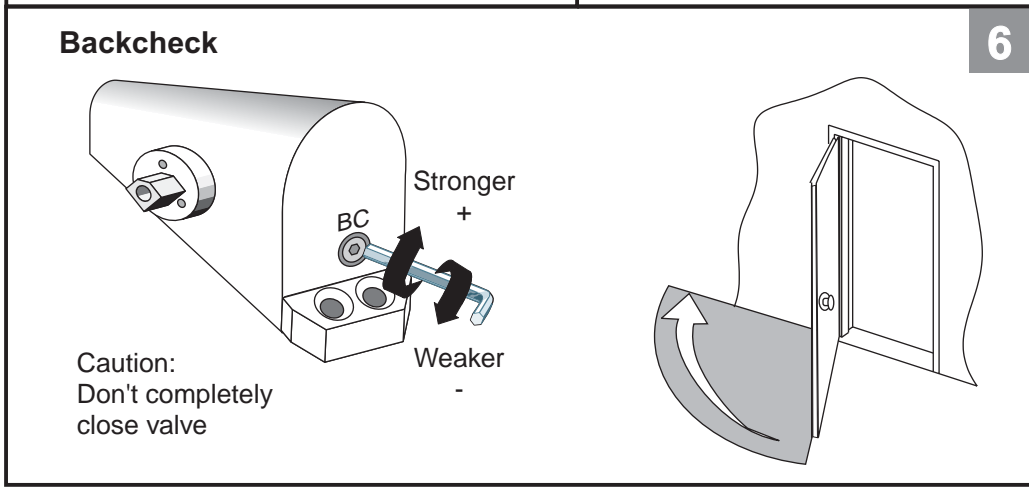
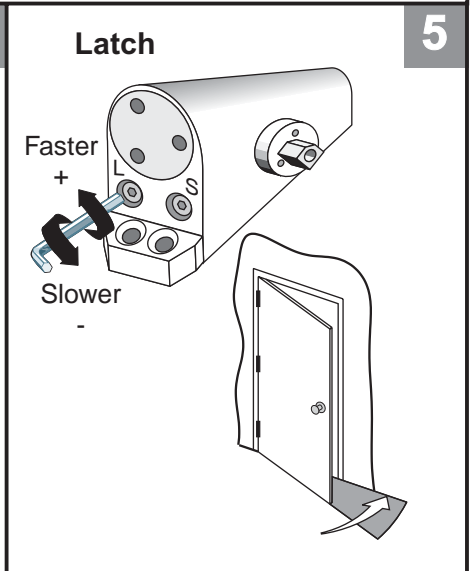
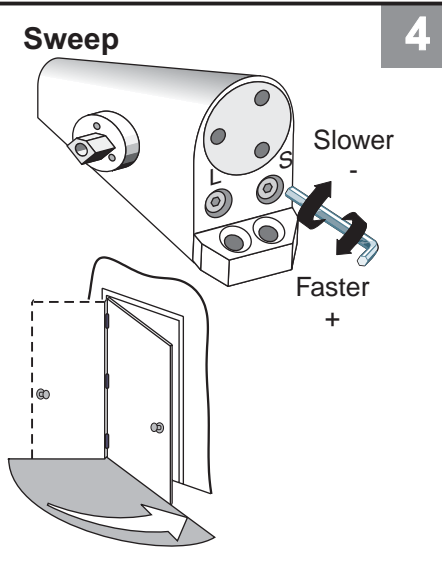
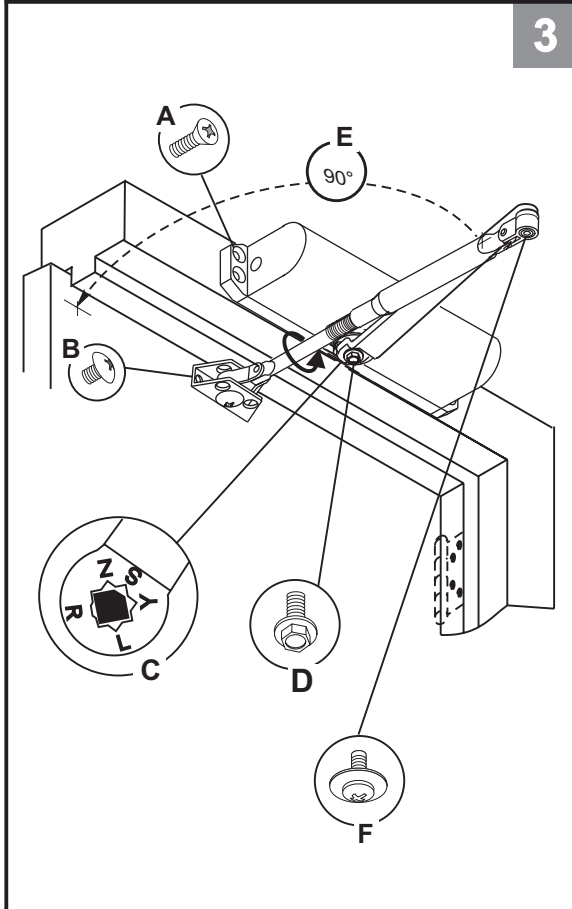
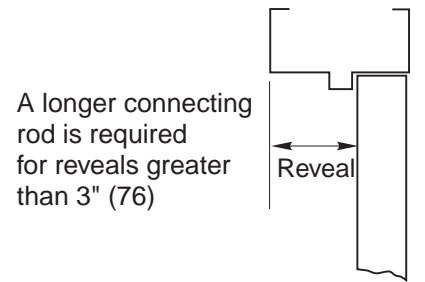
## Non Hold Open Door Closers — Top Jamb Arm

80-9340-1010-152 (11-06)



Inches (mm) \* Door/Wall/Hardware/Jamb conditions permitting

Opening	Dimension "A"
To 100°	7-1/2 (191)
101° to 120°	6 (152)
*121° to 180°	3-1/2 (89)

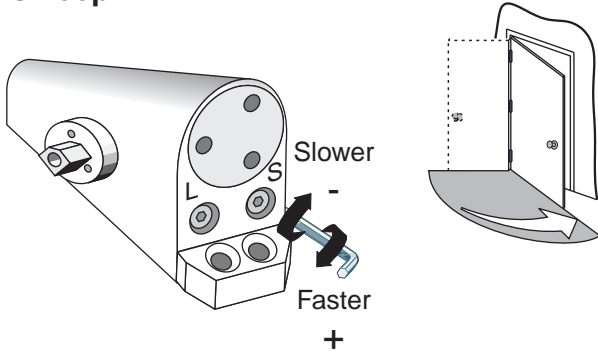


# DC4600 Adjustments Page

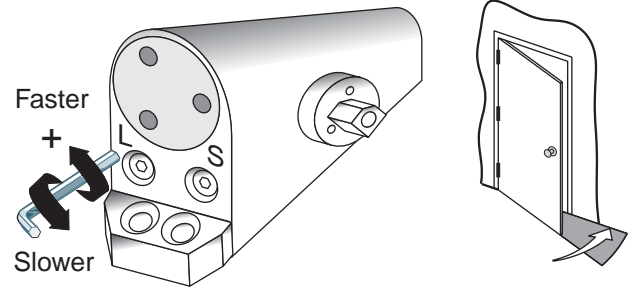
80-9340-1010-152 (11-06)

**Corbin  
Russwin**  
Yale Security Inc.  
Monroe, NC 28110  
Phone (800)-438-1951/Fax (800)-338-0965  
in Canada  
Phone (800)-461-3007/Fax (800)-461-8989  
www.yalesecurity.com

## Sweep

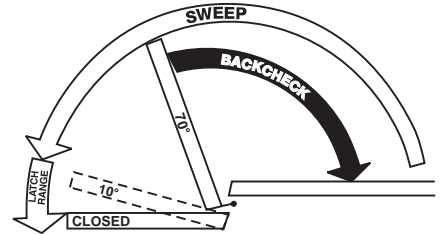
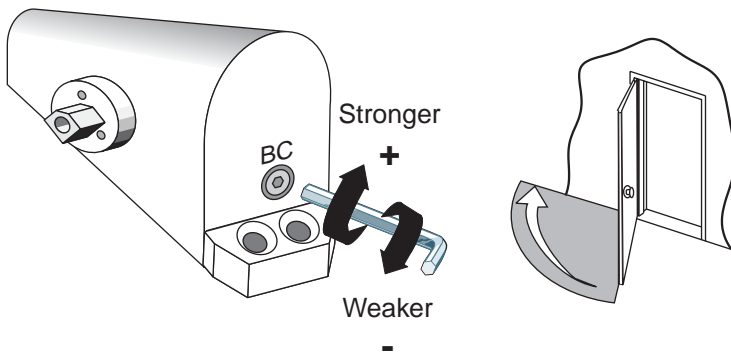


## Latch

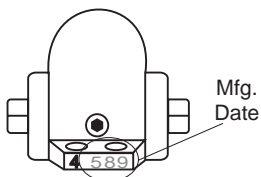


(Use 1/8" Hex Wrench for these Adjustments)

## Backcheck



## To identify your model:



- 2=DC4602
- 3=DC4603
- 4=DC4604
- 5=DC4605

## Arm Placement in Shoe

